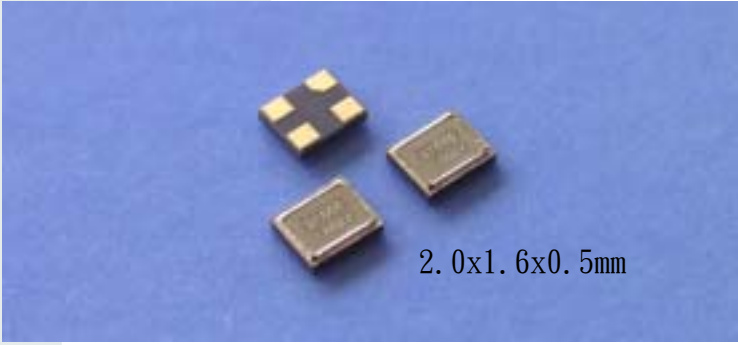


# SURFACE MOUNT CRYSTAL FCX-06



## Features

- Compact design (2.0mm×1.6mm×0.5mmMax.)
- Ceramic package and metal lid assures extreme accuracy and high reliability.
- Tape feeding is suitable for automatic mounting.
- Lead-free soldering is available
- Lead-free products

## Specifications

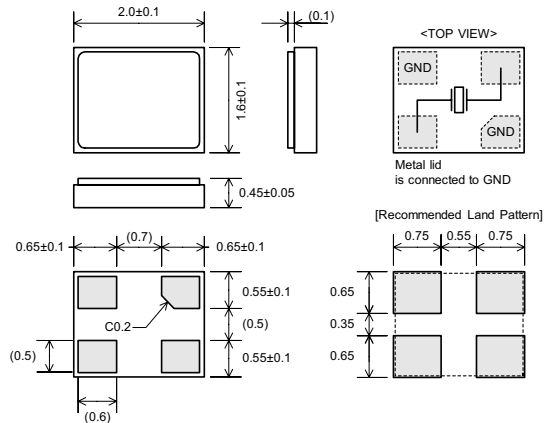
Parameters	Specifications			
Frequency Tolerance	±15ppm, ±20ppm, ±30ppm, ±50ppm, ±100ppm (At 25±5°C)			
Storage Temp. Range	-40°C ~ +85°C			
Operating Temp. Range	0~+50	-10~+60	-20~+70	-40~+85
Frequency Stability over Operating Temp. Range (Ref to 25°C)	±10ppm ±30ppm ±50ppm ±100ppm	±15ppm ±30ppm ±50ppm ±100ppm	±20ppm ±30ppm ±50ppm ±100ppm	±30ppm ±50ppm ±100ppm
Shunt Capacitance	5pF MAX.			
Insulation resistance	500MΩ MIN. at DC100V±15V			
Drive Level	100μW MAX.			
Load Capacitance (Typical)	8pF, 10pF			

Mode	Frequency [MHz]	Series Resistance [Ω]
Fundamental	20.0 ~ 25.0	200 MAX.
	25.0 ~ 40.0	100 MAX.
	40.0 ~ 80.0	60 MAX.

- ❖ Please consult us for customized specifications.
- ❖ All specifications and markings subjected to change without notice.

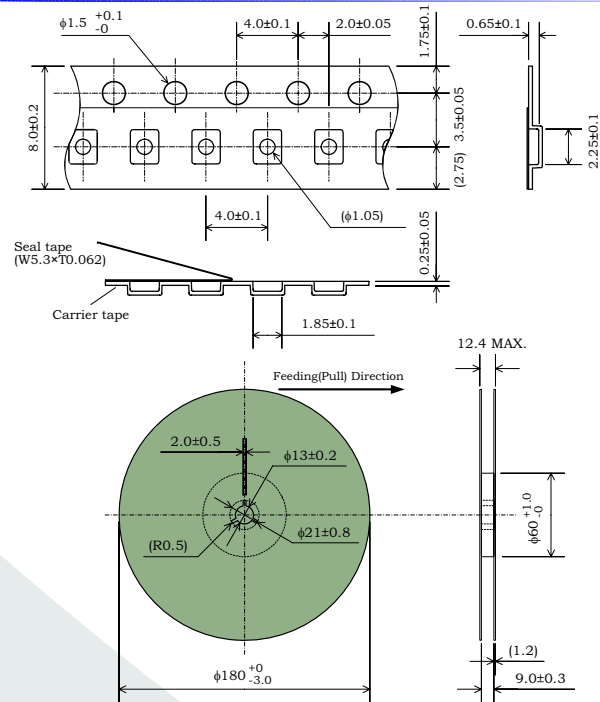
## Dimensions

Unit: mm



## Embossed carrier tape

Unit: mm



# RIVER