



Shunt Current Sensor

ELECTRICAL DATA/INPUT :

Primary Nominal R.M.S. Current(±) Ir(A)	Primary Current Measuring Range(+) Ip(A) at Vcc=15V	Part Name Type	Part Number
15	45	SCT0150-S15V	SCT0150-C
Vcc	Supply Voltage		+15V ±5%
Ic	Current Consumption		<10mA

ELECTRICAL DATA/OUTPUT

Vout	Output voltage at Ir,TA=25	Voe±2V
Rout	Output Impedance	<150 ohm
RL	Load Resistor	>10Kohm

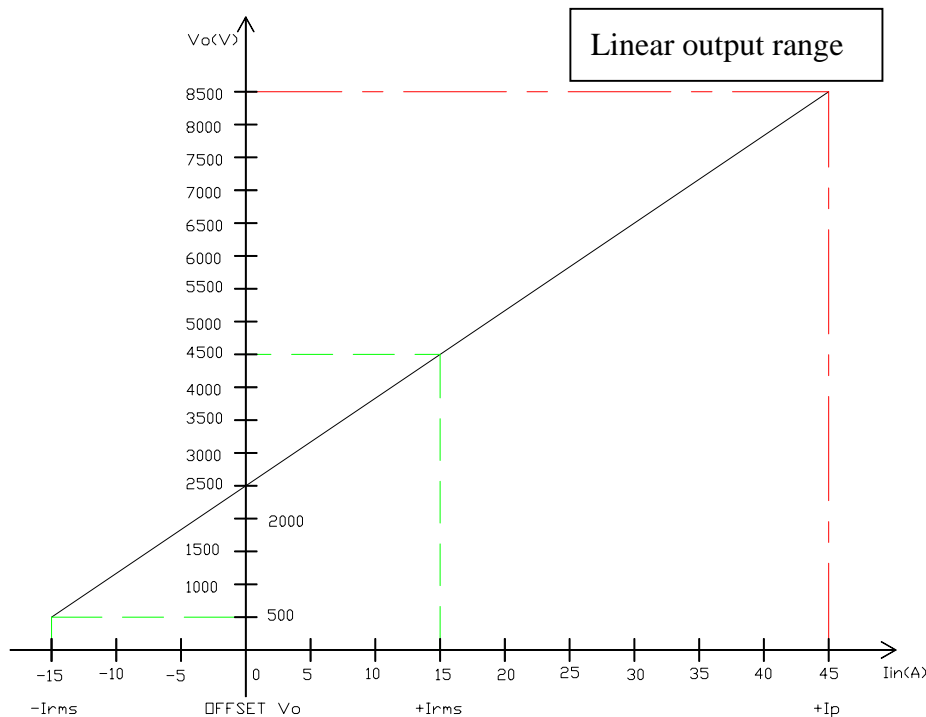
ACCURACY :

X	Accuracy at Ir,TA=25 (without offset)	<±1%
EL	Linearity from 0 to Ir,TA=25	<±1%
Voe	Electrical Offset Voltage , TA=25	2.5V±50mV
Vot	Thermal Drift of Offset Voltage	<1.5mV/
Tr	Response Time @90% of Ir(f=1KHz)	<3uS
fb	Frequency Bandwidth (-3dB)	>50KHz

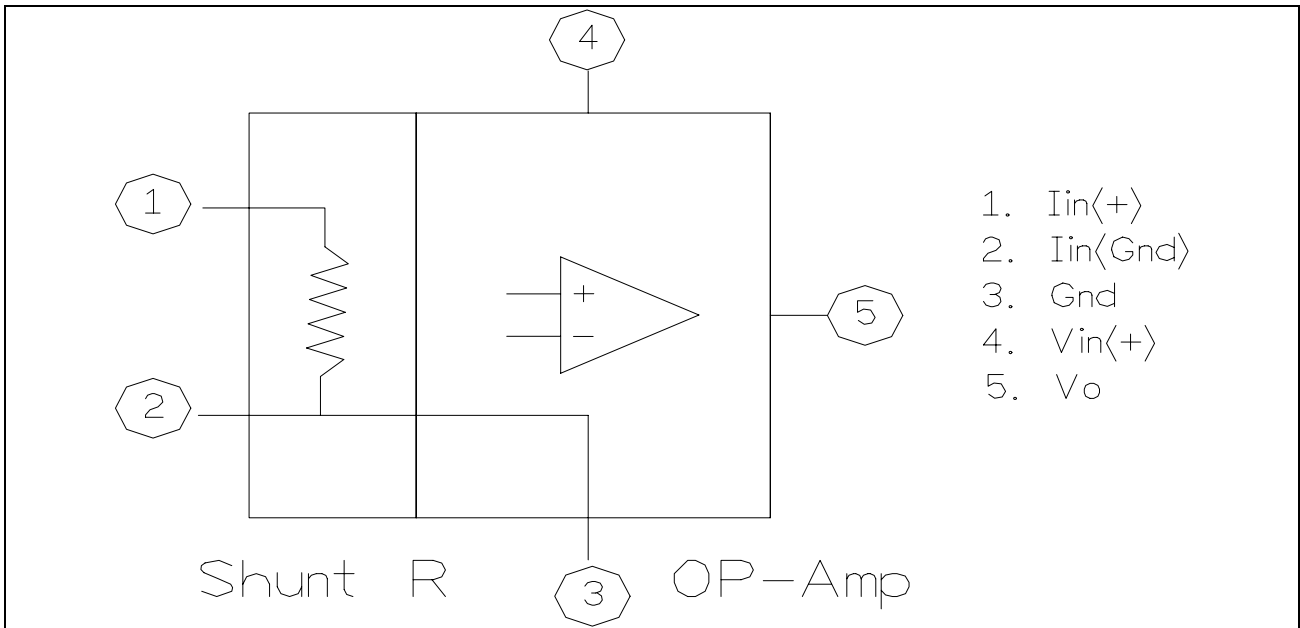
GENERAL DATA :

TA	Ambient Operating Temperature	-10 ~ +85
Ts	Ambient Storage Temperature	-25 ~ +85

Typical Output Characteristic

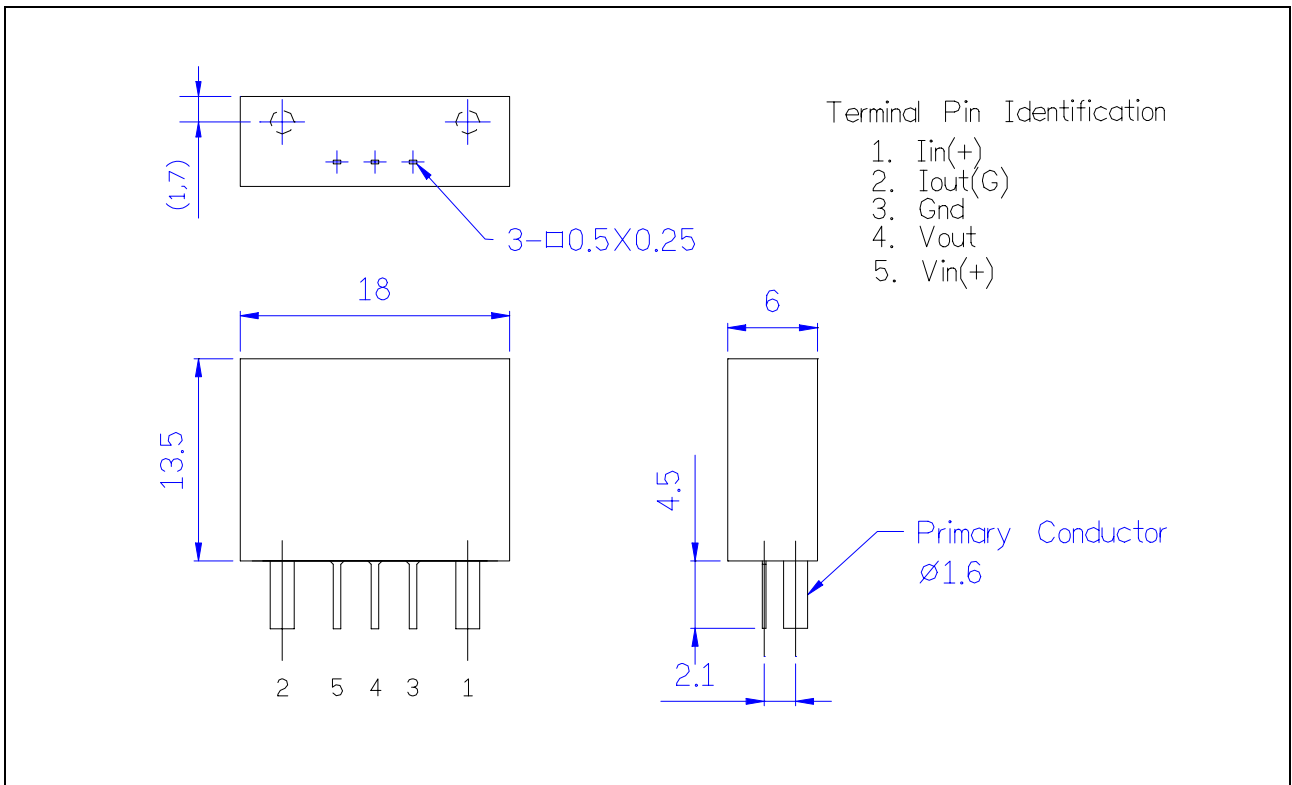


Function Block Diagram

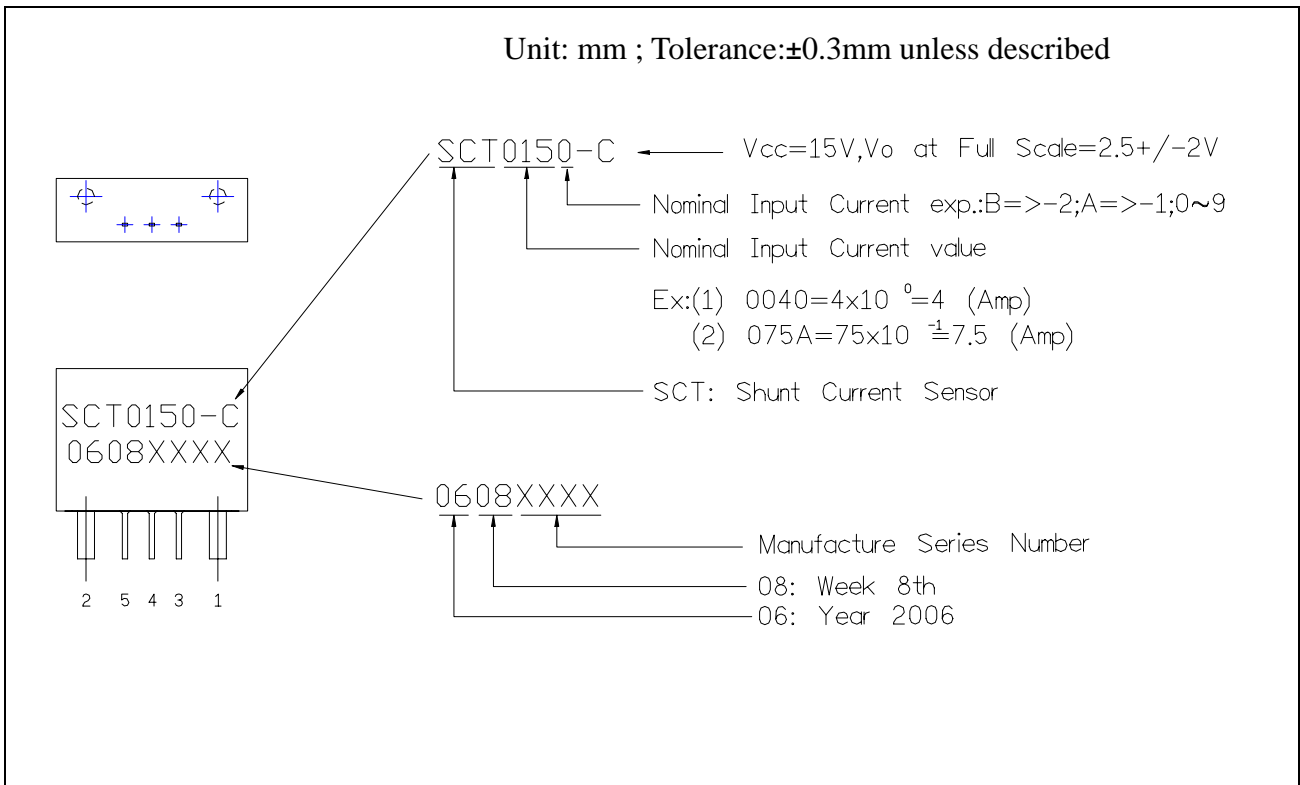


PS: $I_{in}(+)$ Voltage must less than $V_{in}(+)$

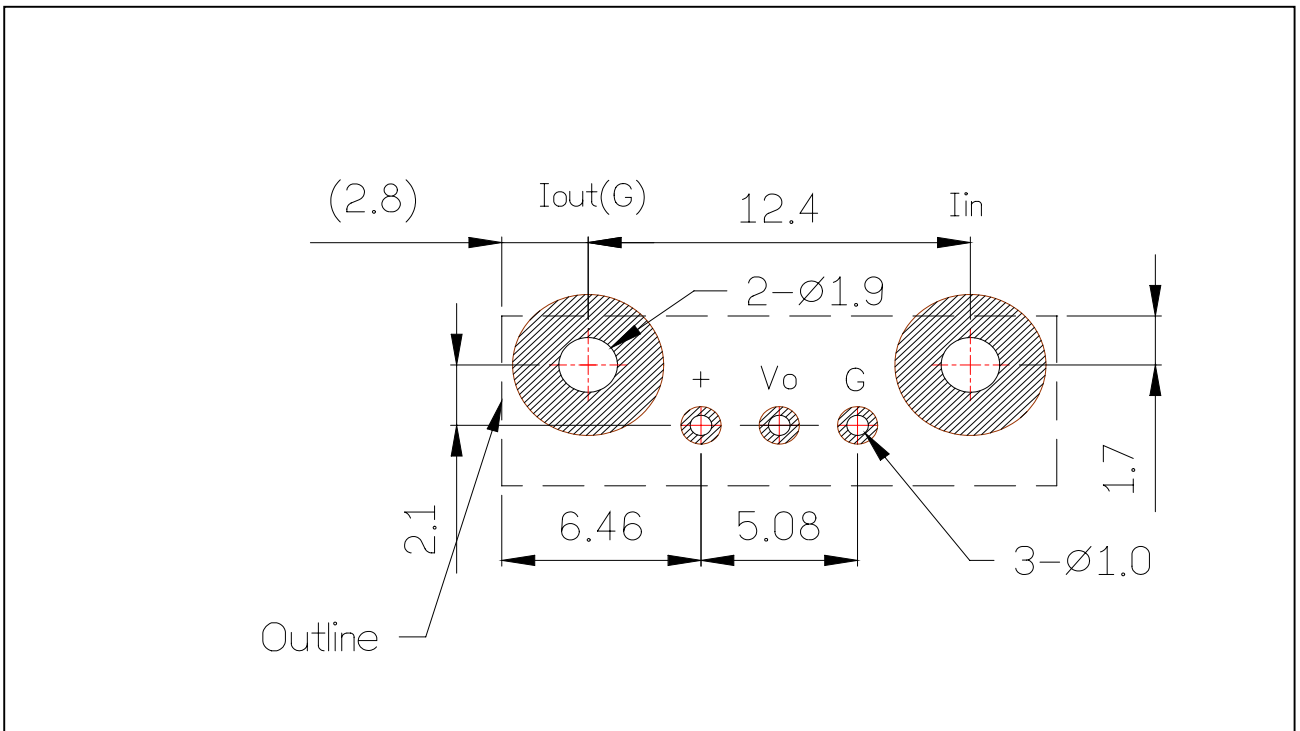
Pin Definition Unit: mm ; Tolerance:±0.3mm



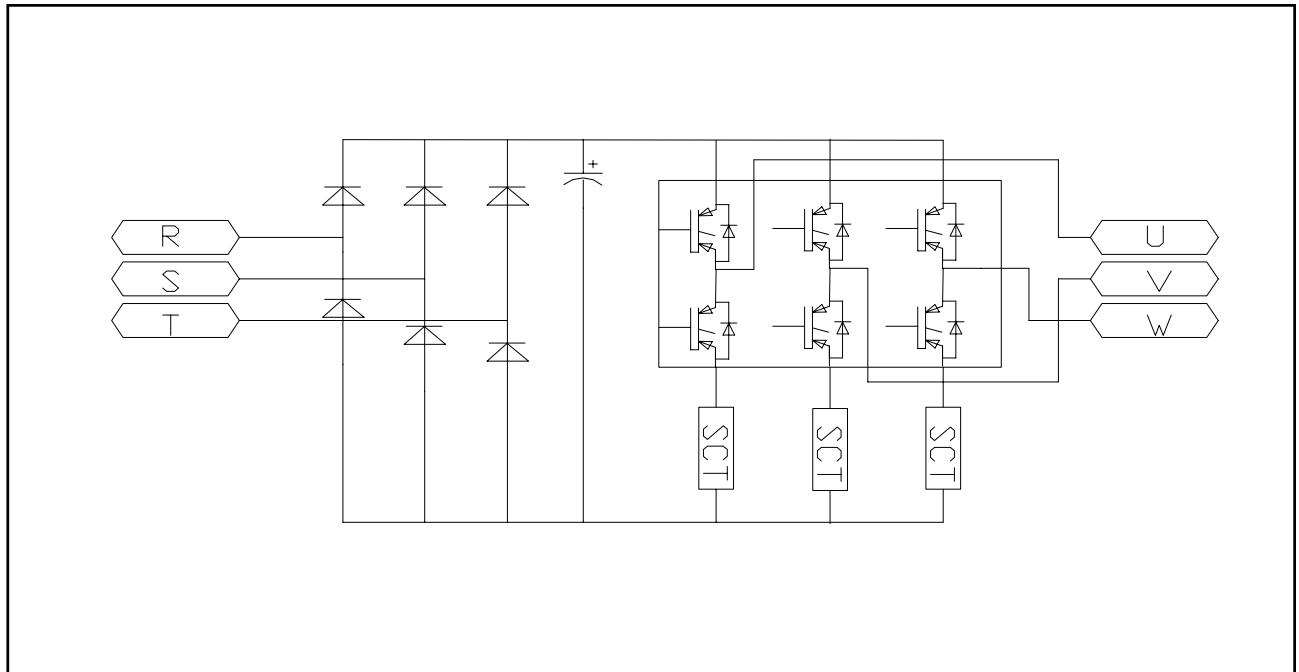
Marking description & Order information



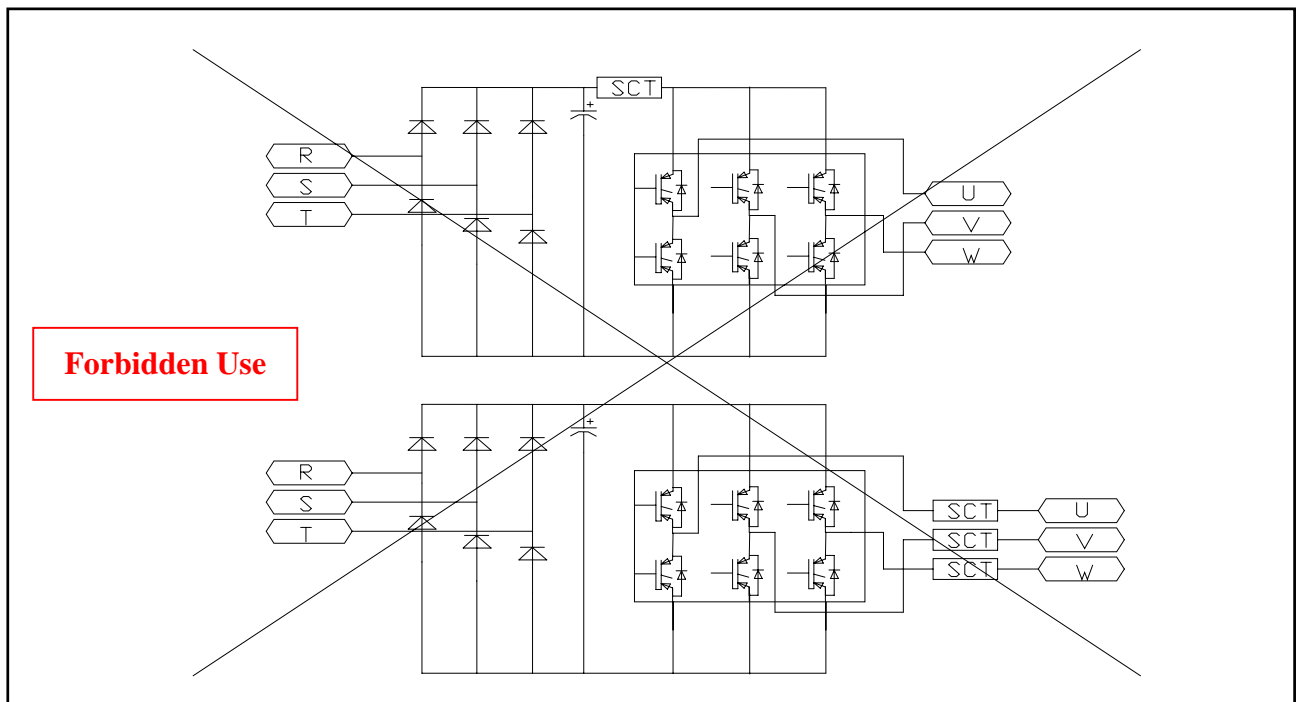
Layout recommend



Typical application



Do not Use



NOTE :

1. For the purpose of quality innovation, we will change circuit, layout and even component without notice. However we assure all the performance is in accord with this data sheets specification.
2. Our product is been qualified by our QA system, we offer 6 months guarantee period after shipping. It supplies only under the right application of the user. We make no assurance while improper operation.
3. **This is none isolated current sensor module.** If you need isolated current sensing, please refer other product from “BesTeks” or contact local distributor.