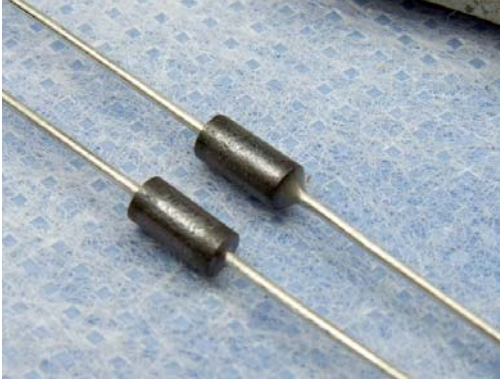


FERRITE BEAD/FB SERIES

COMPONENT

PRODUCT IDENTIFICATION



FB 3560 □□ - **650**
 A B C D

A : FB FOR DIP FERRITE BEAD
 B : DIMENSION
 C : PACKING SYMBOL
 D : IMPEDANCE CODE

APPLICATIONS

The Taping RH CORES are produced for the auto insertion into the P.C boards to prevent undesirable signal feedback and parasitic OSC.

SHAPES & DIMENSIONS

CATEGORY	PART NO.	A (mm)	B (mm)	D (mm)	IMPEDANCE (Ω)Min. @100MHz
AXIAL	FB2530□□-250	2.5±0.15	3.0±0.2	0.65	25.0
	FB2540□□-320		4.0±0.2		32.0
	FB2570□□-580		7.0±0.3		58.0
	FB3530□□-350	3.5±0.2	3.0±0.2		35.0
	FB3545□□-450		4.5±0.3		45.0
	FB3547□□-500		4.7±0.3		50.0
	FB3560□□-650		6.0±0.3		65.0
	FB3575□□-900		7.5±0.3		90.0
	FB3580□□-950		8.0±0.3		95.0
	FB3590□□-101		9.0±0.4		100.0
	FB3511□□-131		11.5±0.5		130.0
FB3512□□-141	12.0±0.5		140.0		
RADIAL TRANSVERSAL	FB3545B-450			4.5±0.3	45.0
	FB3560B-650		6.0±0.3	65.0	
	FB3590B-101		9.0±0.4	100.0	
RADIAL ERECTON	FB3545□□-450		4.5±0.3	45.0	
	FB3560□□-650		6.0±0.3	65.0	
RADIAL PAIR	FB3545□□-900		4.5±0.3	90.0	
	FB3560□□-121		6.0±0.3	120.0	

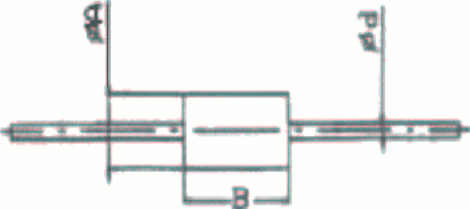
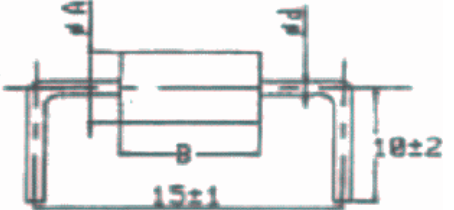
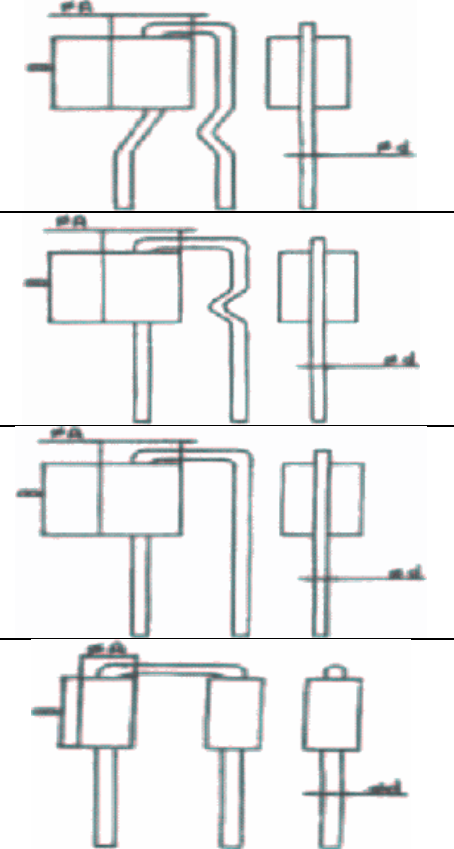
MATERIALS :

- CORE : FERRITE RH CORE
- LEAD WIRE : TINNED COPPER WIRE

FERRITE BEAD/FB SERIES

COMPONENT

SHAPES & DIMENSIONS

CATEGORY	PACKING STYLE	PACKING SYMBOL	SHAPE	CATEGORY
AXIAL		BULK	S	
		REEL AMMO	ST	
RADIAL	TRANSVERSAL	BULK	B	
	ERECTION	REEL AMMO	PT	
		BULK	PB	
		REEL AMMO	AT	
		BULK	AB	
		REEL AMMO	RT	
		BULK	RB	
	PAIR	BULK	DB	
		REEL AMMO	DT	