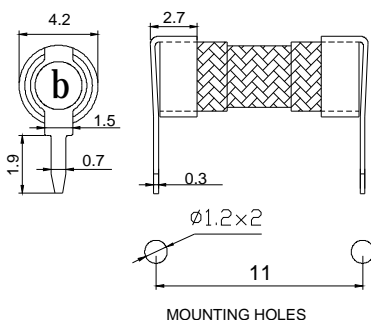


Clip / BC301



PC Mount, 3.6x10mm Fuses
90° Pin Shift



Mounting
PC Board, 11mm pin spacing

Materials
Spring Brass

Electrical Data (23 °C)
Rated Voltage: 250V
MAX.Current: 6.3A

Unit Weight
0.105g

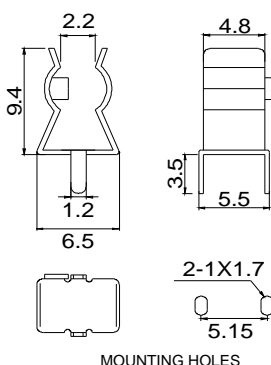
Packaging
Bulk (30000pcs)

Spec. Number
-030 0.30mm thickness, Ni plated

Clip / BC501



PC Mount, 5.0x20mm Fuses



Mounting
PC Board, 5.15mm pin spacing

Materials
Spring Brass

Electrical Data (23 °C)
Rated Voltage: 250V
MAX.Current: 6.3A

Unit Weight
0.4g

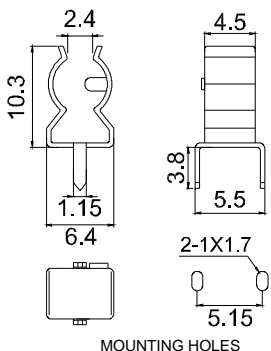
Packaging
Bulk (1000pcs)

Spec. Number
-035 0.35mm thickness, Ni plated
-040 0.40mm thickness, Ni plated
-235 0.35mm thickness, bright Sn plated
-240 0.40mm thickness, bright Sn plated

Clip / BC502



PC Mount, 5.0x20mm Fuses



Mounting
PC Board, 5.15mm pin spacing

Materials
Phosphor Bronze

Electrical Data (23 °C)
Rated Voltage: 250V
MAX.Current: 6.3A

Unit Weight
0.45g

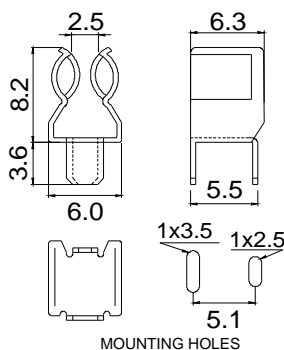
Packaging
Bulk (1000pcs)

Spec. Number
-040 0.40 thickness, Ni plated

Clip / BC503



PC Mount, 5.0x20mm Fuses



Mounting
PC Board, 5.1mm pin spacing

Materials
Spring Brass

Electrical Data (23 °C)
Rated Voltage: 250V
MAX.Current: 6.3A

Unit Weight
0.47g

Packaging
Bulk (1000pcs)

Spec. Number
-040 0.40 thickness, Ni plated