

FMS Series

High Voltage Film capacitor

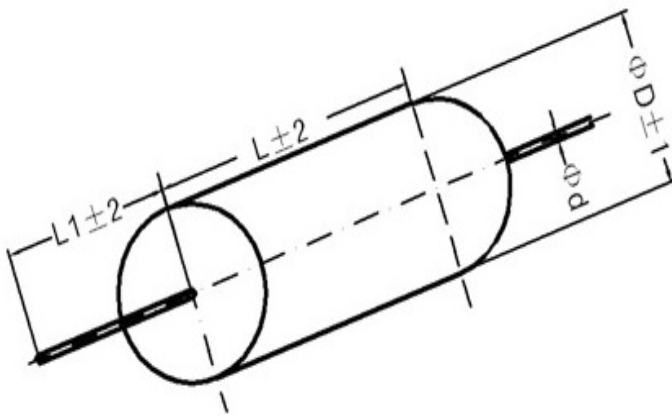
FMS 超高压金属化薄膜电容

*** 产品简介 (General Description)**

介质材料 (Dielectric):	聚丙烯膜&聚脂 (Metallized Polypropylene)
外壳结构 (Case):	胶带 (polyster tape)
引出端头 (Terminals):	Axial leaded ,Lug terminals
内部结构 (Technology):	阻燃树脂填充无感干式结构 (No-Inductive,Dry Film)
工作温度 (Work Temperature):	- 40 ~ + 105°C
产品特性 (Performance):	High dV/dt, Low ESR and ESL
产品应用 (Application):	X-Ray倍压电源、高频电源、电力电子等 (X-Ray power, High Voltage ,Medical Power)



*** 外形尺寸(Drawing)**



采用聚丙烯金属化薄膜;具有自愈性,耐高尖峰电流及高电压的上升速率;本具有相当低等效串联电阻的特性,同时还可以耐非常高的频率和电压。

Oval film capacitors use polypropylene film and dual metallized electrodes for both self healing and high peak current carrying capability (dV/dt). This series features low ESR characteristics, excellent high frequency and high voltage capabilities.

*** 电气性能(Electrical Characteristics)**

容值范围(Cn,Capacitance range):	100 pF to 2.0μF
容量偏差(Tolerance):	± 10%
工作电压(Urms,Rated AC Voltage):	1000Vdc to 50000Vdc
极间耐电压(UTT):	1.4 * Un @ 120s
温度漂移(TCR):	+5% @ -55°C, 0 @ 25°C, -5% @ +85°C
介质损耗角(tanδ):	< 0.21% @ 100KHz

** UTT: Test voltage between terminals

*** 产品代码定义 (Part Number)**

如: FMS-8E473K=0.0047UF/8000V ±10%

FMS	-	8	-	E	-	473	-	K
Series		Voltage		Dielectric		Cap.		Tolerancens
		8=8KV		E:聚脂膜		473=0.047UF		J:±5%
		10=10KV		P:聚炳烯膜		152=0.0015UF		K:±10%
			M:±20%

FMS Series

High Voltage Film capacitor

FMS 超高压金属化薄膜电容

* 标准产品电气性能表(Standard Electrical Data)

Cap. uF	Part Number	Rated voltage	dv/dt	Dielectric		DIMENSION Unit: mm		
		V dc	V/μs	聚脂 E	聚炳烯 P	L	D	d
0.0015	FMS-8E152K	8000	800	E	P	50	9	0.8
0.0022	FMS-8E222K	8000	800	E	P	50	10	0.8
0.0033	FMS-8E332K	8000	800	E	P	50	10	0.8
0.0047	FMS-8E472K	8000	800	E	P	50	11	0.8
0.01	FMS-8E103K	8000	400	E	P	60	15	0.8
0.022	FMS-8P223K	8000	400	E	P	60	24	0.8
0.1	FMS-8P104K	8000	275	E	P	86	30	1.2
0.33	FMS-8P334K	8000	275	E	P	86	35	1.2
0.0015	FMS-10E152K	10000	900	E	P	70	10	0.8
0.0022	FMS-10E222K	10000	900	E	P	70	12	0.8
0.0033	FMS-10E332K	10000	900	E	P	70	13	0.8
0.0047	FMS-10E472K	10000	900	E	P	70	14	0.8
0.0068	FMS-10E682K	10000	900	E	P	70	15	0.8
0.01	FMS-10P103K	10000	470	E	P	50	16	0.8
0.015	FMS-10PE153K	10000	470	E	P	50	20	0.8
0.022	FMS-10P223K	10000	470	E	P	70/53	23/20	0.8
0.033	FMS-10P333K	10000	375	E	P	70	24	0.8
0.047	FMS-10P473K	10000	375	E	P	70	27	0.8
0.068	FMS-10P683K	10000	375	E	P	70	32	0.8
0.0015	FMS-15E152K	15000	1200	E	P	90	10	0.8
0.0022	FMS-15E222K	15000	1200	E	P	90	13	0.8
0.0033	FMS-15E332K	15000	1200	E	P	90	13	0.8
0.0047	FMS-15E472K	15000	1200	E	P	90	13	0.8
0.0068	FMS-15E682K	15000	1200	E	P	70	16	0.8
0.01	FMS-15P103K	15000	660	E	P	90	19	1.2
0.02	FMS-15P203K	15000	660	E	P	71/105	30/16	1.2
0.022	FMS-15P223K	15000	660	E	P	105	17	1.2
0.047	FMS-15P473K	15000	630	E	P	95	40	1.2
0.0015	FMS-20E152K	20000	1450	E	P	90	20	0.8
0.0022	FMS-20E222K	20000	1450	E	P	110	12	0.8
0.0033	FMS-20E332K	20000	1450	E	P	110	13	0.8
0.0047	FMS-20E472K	20000	1450	E	P	110	16	0.8
0.01	FMS-20E103K	20000	1450	E	P	90	20	0.8
0.0015	FMS-30E152K	30000	1750	E	P	115	16	1.2
0.0022	FMS-30E222K	30000	1750	E	P	115	18	1.2
0.0047	FMS-30E472K	30000	1750	E	P	115	22	1.2
0.01	FMS-40P103K	40000	1750	E	P	115	30	1.2

注：仅举部分产品及尺寸供客户参考！